

CN-0411



Key Features

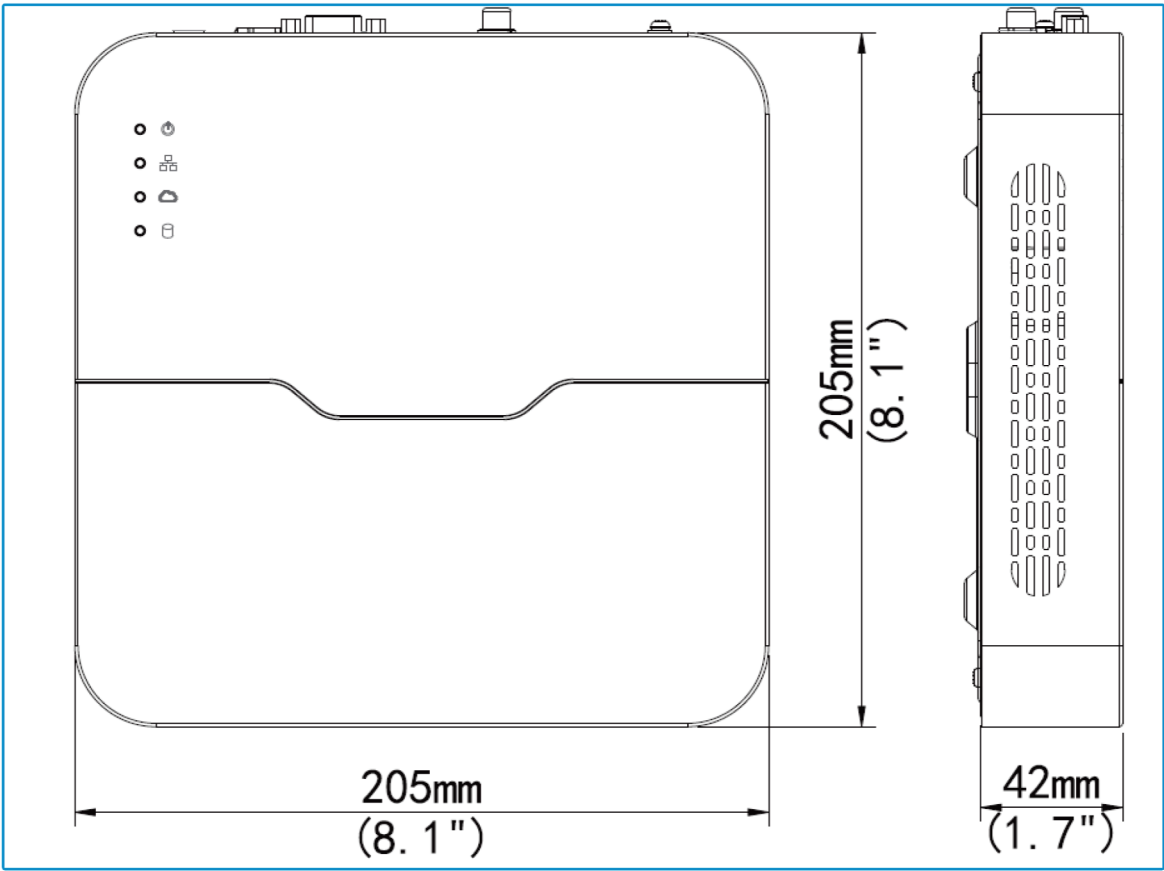
- Support Ultra 265/H.265/H.264 video formats
- 4/8-channel input
- Third-party IP cameras supported with ONVIF conformance: Profile S, Profile G, Profile C, Profile Q, Profile A, Profile T
- Support 1-ch HDMI, 1-ch VGA
- HDMI and VGA simultaneous output
- Up to 2MP resolution recording
- 1 SATA HDD, up to 8 TB
- Support cloud upgrade

Specifications

Model	CN-0411	CN-0811
Video/Audio Input		
IP Video Input	4-ch	8-ch
Network		
Incoming Bandwidth	40Mbps	
Outgoing Bandwidth	40Mbps	
Remote Users	128	
Protocols	P2P, UPnP, NTP, DHCP, PPPoE	
Video/Audio Output		
HDMI/VGA Output	HDMI: 1920x1080p /60Hz, 1920x1080p /50Hz, 1600x1200 /60Hz, 1280x1024 /60Hz, 1280x720 /60Hz, 1024x768 /60Hz	

	VGA: 1920x1080p /60Hz, 1920x1080p /50Hz, 1600x1200 /60Hz, 1280x1024 /60Hz, 1280x720 /60Hz, 1024x768 /60Hz	
Recording Resolution	1080p/960p/720p/D1/2CIF/CIF	
Synchronous Playback	4-ch	8-ch
Corridor Mode Screen	3/4	3/4/5/7/9
Decoding		
Decoding format	Ultra 265/H.265/H.264	
Liveview/ Playback	1080p/960p/720p/D1/2CIF/CIF	
Capability	2 x 1080p@30, 4 x 720p@30	
Hard Disk		
SATA	1 SATA interface	
Capacity	up to 8TB for each disk	
External Interface		
Network Interface	1 RJ45 10M/100M self-adaptive Ethernet Interface	
USB Interface	Rear panel: 2 x USB2.0	
General		
Power Supply	12V DC Power Consumption: ≤3.2 W(without HDD)	
Working Environment	-10°C ~ + 55°C (+14°F ~ +131°F), Humidity ≤ 90% RH(non-condensing)	
Dimensions(W×D×H)	205mm × 205mm × 42mm(8.1" × 8.1" × 1.7")	
Weight (without HDD)	0.51kg (1.12lb)	

Dimensions



Rear Panel

