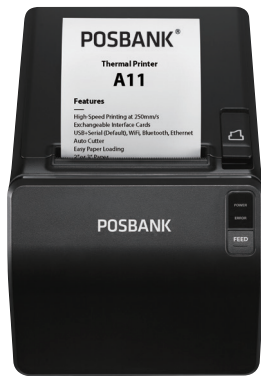


# A11 Fast. Reliable. Compatible.



## Features

- 2" or 3" Direct Thermal POS Printer with Auto Cutter
- Fast Printing Speed of 250mm/s
- Advanced Reliability for Large Volume Printing
- USB+Serial+Ethernet Interface
- Optional WiFi, Bluetooth Interface
- mPOS friendly. Compatible with Android and iOS
- Drop-in Paper Loading

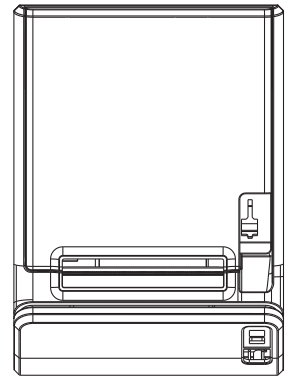
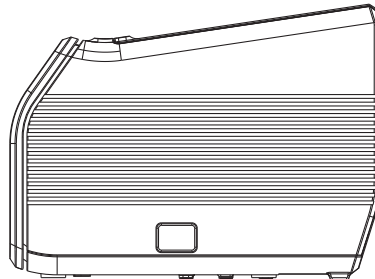
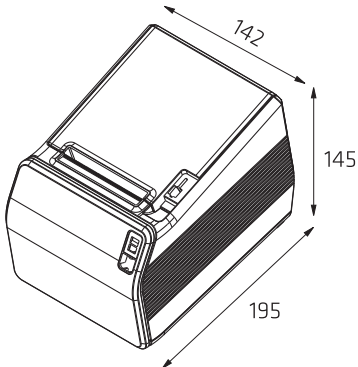
**The A11** is the latest addition to POSBANK's POS printer family A series. The printing speed of 250mm/s makes it deal for crowded checkout areas and advanced reliability for large volume printing in retail and hospitality segments. For enhanced customer experiences, the A11 is compatible with leading mobile operating systems including Android and iOS.

## Specifications

Print	<b>Print Method</b>	Direct Thermal
	<b>Print Speed</b>	250mm/s
	<b>Print Resolution</b>	180 dpi (7dots/mm)
	<b>Print Width</b>	54mm, 74mm
Print Font	<b>Character Size</b>	Font A 12 x 24 dots, Font B 9 x 17 dots, Font C 9 x 24 dots
	<b>Character per Line</b>	Font A 42, Font B 56, Font C 56
	<b>Character Sets</b>	Alphanumeric : 95
		Extended Graphics : 128 x 37 Page
		International : 32
<b>Barcode Types</b>	1D : Coda Bar, Code39, Code93, Code128, EAN-8, EAN-13, ITF, UPC-A, UPC-E 2D : PDF417, QR Code	
<b>Graphics</b>	Supporting User-defined Fonts, Graphics, Formats, Logos	
Media	<b>Type</b>	Thermal Roll Paper
	<b>Paper Feed</b>	Friction Feed
	<b>Loading</b>	Drop in
	<b>Width</b>	58mm, 80mm
	<b>Roll Diameter</b>	Max. 83mm
	<b>Thickness</b>	62~75µm
	<b>Auto Cutter</b>	Full or Partial Selectable
Reliability	<b>Partition</b>	2 inch (58mm)
	<b>MCBF</b>	60million Lines
	<b>TPH</b>	150km
General	<b>Auto Cutter</b>	1.5million Cuts
	<b>Interface</b>	Built-in USB + Serial(RJ-45) + Ethernet, WiFi, Bluetooth (Optional, Gender Type)
	<b>Support Mobile Operating Systems</b>	Android, iOS (SDK)
	<b>Receive Buffer</b>	4kb
	<b>Printer Driver</b>	Windows Driver, OPOS Driver, JPOS Driver, Linux CUPS Driver, Mac Driver, Virtual COM USB/Ethernet Driver, Utility Program
	<b>Utility</b>	Unified POS Utility (VMMSM,NV)
	<b>Sensors</b>	Paper End, Cover Open, Black Mark, Partition
	<b>Drawer</b>	2 Port (via Y-Type Adaptor)
	<b>Power Supply</b>	24V, 2.5A
	<b>Temperature &amp; Humidity</b>	Operating : 0 ~ 45°C, 10 ~ 80% RH (No condensations) Storage : -20 ~ 60°C, 10 ~ 90% RH (No condensations)
	<b>Safety Standards</b>	CE, FCC
	<b>Dimensions(W x H x D)</b>	142 x 145 x 195 (mm), 5.6 x 5.7 x 7.7 (in)
	<b>Weight</b>	1,600g, 3.5lbs
	<b>Color</b>	Black, White
	<b>Options</b>	WiFi, Bluetooth (Gender Type)
	<b>Eco</b>	WEEE, RoHS, Reach SVHC, Energy Star®
	<b>Warranty</b>	3 Years (TPH, Cutter 2 Years)
<b>What's in the Box</b>	A11, Power Supply (Adapter, Power Cord), USB+ Serial Cable, Paper Roll (30Ø), Partition, Installation CD, Installation Guide	

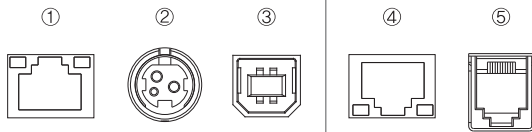
## Dimensions

Unit : mm



## I/O Interfaces

PRIME



- ① Ethernet
- ② Power Connector / 24V
- ③ USB (B type)
- ④ Serial (RS232) at the bottom
- ⑤ Drawer Kick-Out at the bottom

## Ordering Information

Part No.	Description
A11P (B-Country)	Direct Thermal POS Printer, USB+Serial+Ethernet Interface, Black
A11_IFJ-BiK TYPE	Bluetooth Module
A11_IFJ-WK TYPE	WiFi Module



**POSBANK®** [www.posbank.com](http://www.posbank.com) [sales@posbank.com](mailto:sales@posbank.com)

Copyright © 2018 POSBANK Co., Ltd.

POSBANK and the POSBANK logo are trademarks of POSBANK in the United States and other countries. All trademarks are the property of their respective owners. Intel, Celeron, Core are registered trademarks of Intel Corporation in the United States and other countries. Microsoft, Windows 7, Windows 8.1, Windows 10 IoT Enterprise and POS Ready 7 are registered trademarks of Microsoft Corporation in the United States and other countries. POSBANK shall not be liable for technical or editorial errors or omission contained herein. The information in this publication is informational purposes only and may be altered or amended by POSBANK. All statements regarding POSBANK's direction and intent are subject to change or withdraw without notice. Specifications may change without prior notice.